



MATIC Oil

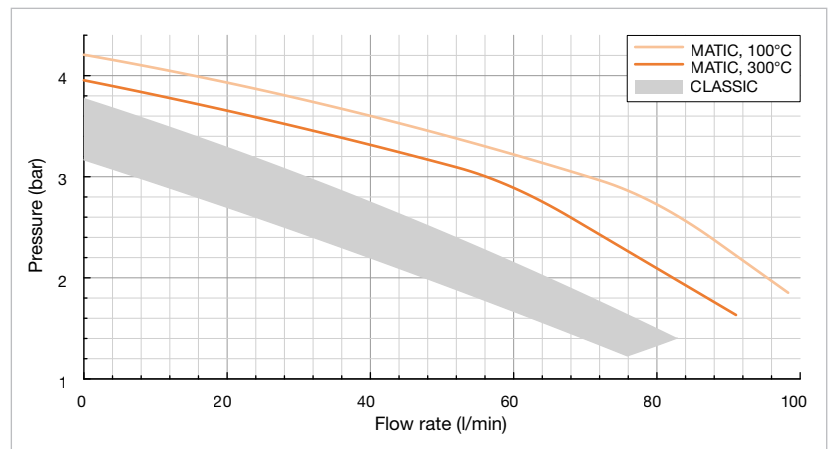
360 16/24 A

360 16/24 Z

- Energy-efficient and ecological
- Modular and easy to expand
- Predefined actions
- Configurable recipes
- Intelligente Connectivity
- Predictive Maintenance

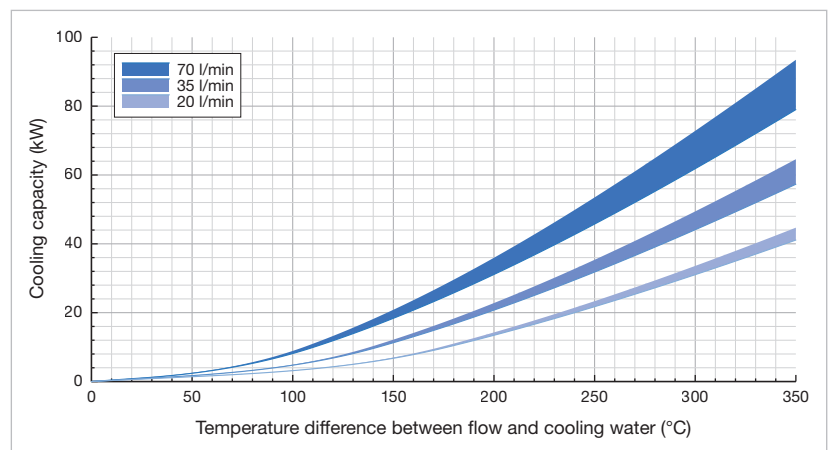


Pump characteristic curve



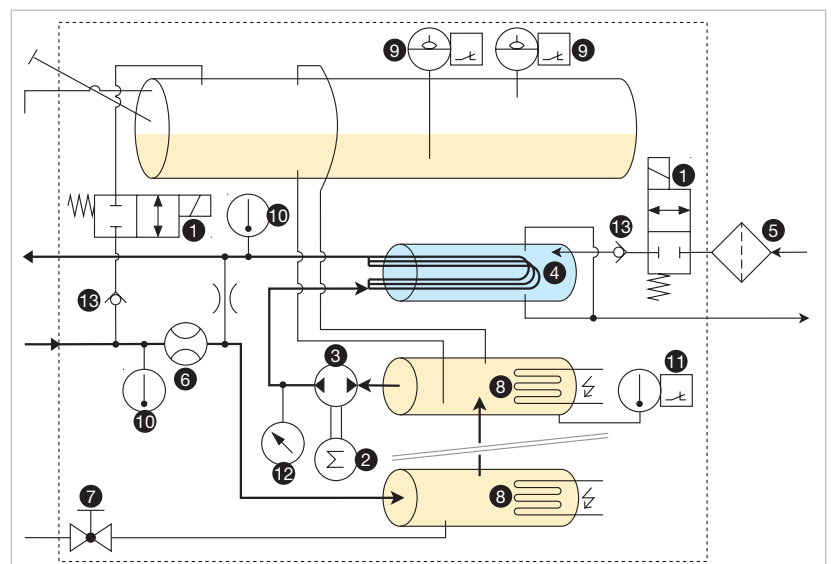
Performance data with Tool-Therm SH3 heat transfer oil

Cooling capacity

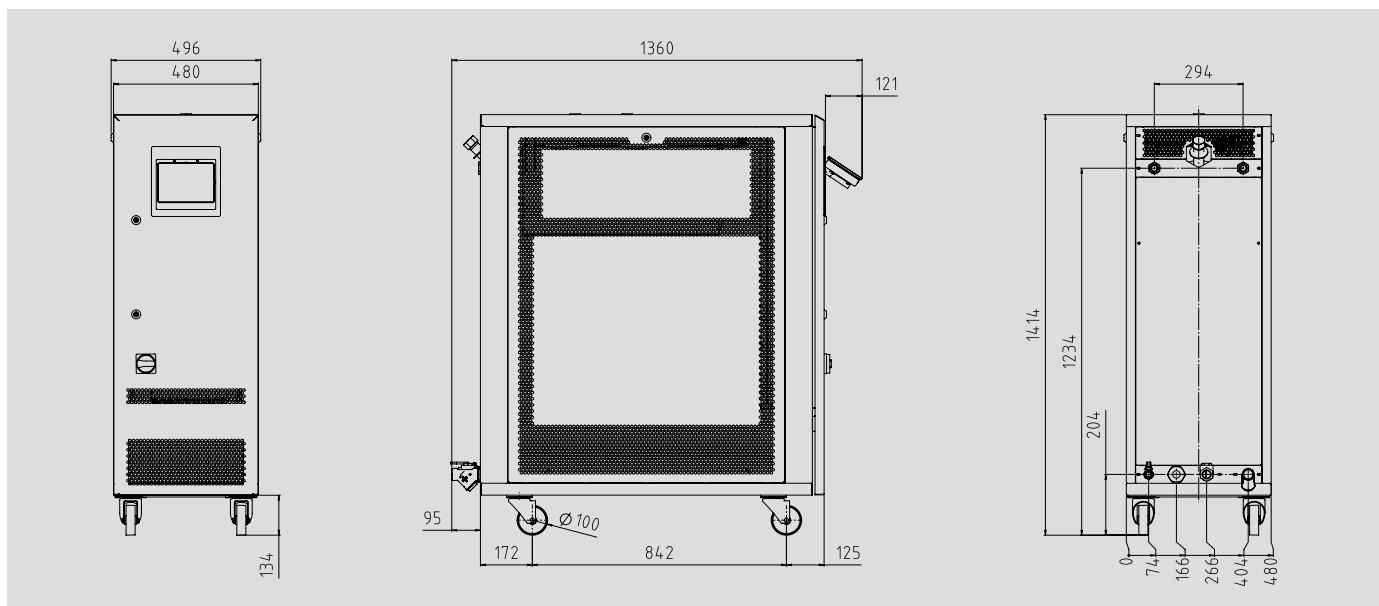


Performance data min. at 30 l/min @ 1.5 bar; max. at 72 l/min @ 8 bar cooling water

Fluidikschema



1 2-2 way valve (normally closed), 2 Pump motor, 3 Pump with reversible pumping direction, 4 Shell and tube heat exchanger, 5 Filter, 6 Flow sensor, 7 Ball valve, 8 Heating element, 9 Levelsensor, 10 Temperature sensor, 11 Safety temperature limiter, 12 Pressure sensor, 13 Non-return valve



		Öi	
Maximum temperature	360 °C (with TOOL-THERM SH-3 heat transfer oil)		
Heat output	16 kW	24 kW	
Cooling capacity	See diagram		
Filling volume (heat transfer fluid)	20 liters	26 liters	
Expansion volume	36 liters		
Pump	Type A or Z		
Pressure and flow rate	See diagram		
Rated power of the motor	1.5 kW		
Control system	IRIS		
Temperature measurement	3-wire Pt100 (F0.15 to IEC 60751), flow and return		
Pump pressure measurement	Piezoresistive pressure transmitter		
Flow measurement (heat transfer medium)	Bevel gear sensor with inductive pick-up		
Languages	DE, EN, ES, FR, IT, NL (expandable)		
Interfaces	Module IO1: RS232, RS485, CL 20 mA, CAN (accessories)		
OPC-UA (Standard)	Module IO2: Profibus, Profinet, EtherNet/IP (accessories)		
	Module IO3: 0-10 V, 0/4-20 mA, external measurement (accessories)		
Connections	¾" BS internal thread		
Heat transfer medium (flow and return)	1" BS female thread, with water filter		
Cooling water, inlet	1" BS internal thread		
Cooling water, outlet			
Empty weight	210 kg	220 kg	
Color	RAL 7035 light gray		
Surroundings	5-40 °C		
Temperature range	40-80 % RH (non-condensing, no ice formation)		
Relative humidity			
Installation	Inside, ventilation openings must be at least 10 cm clear		
Continuous sound pressure level	< 70 dB (A)		
Power supply	380-480 V, 50/60 Hz or alternatively 200-240 V, 50/60 Hz		
	16 kW version		24 kW version
Connected load	18 kW		26 kW
Conductor cross-section of connection cable			
200-240 V	16 mm ²		25 mm ²
380-480 V	10 mm ²		10 mm ²
Protection class device	IP44, IP54 optional		
Labeling	CE, UL-ready		