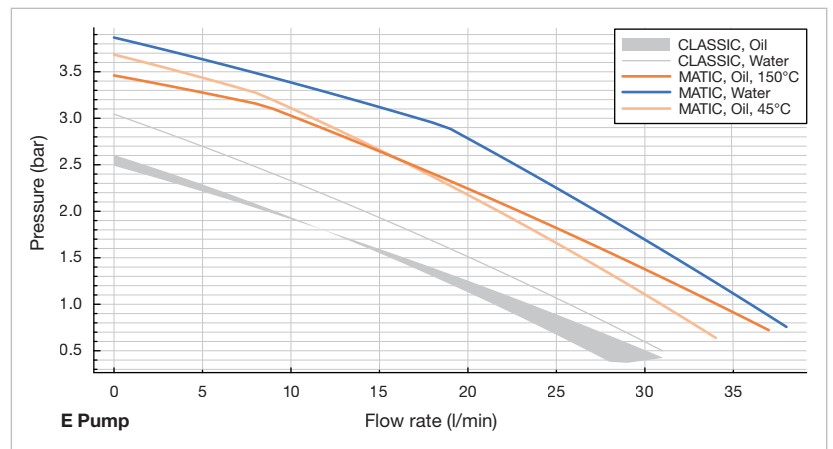




MATIC Duo 90/150 9 E

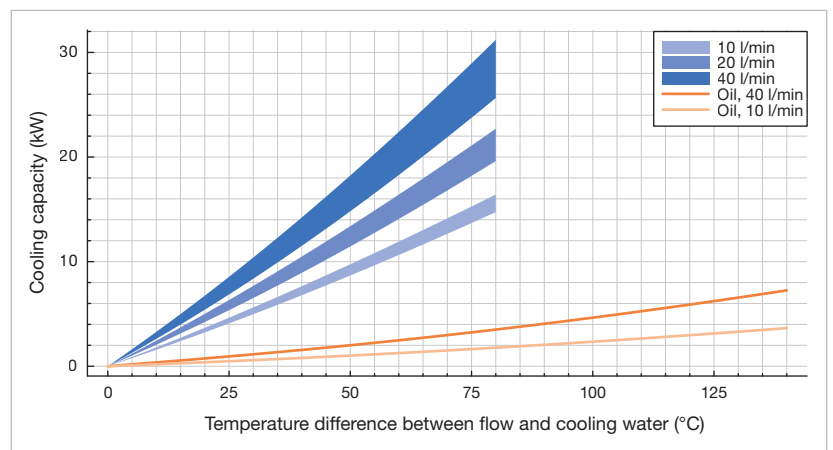
- Energy efficient and ecological
- Modular and easy to expand
- Predefined actions
- Configurable recipes
- Intelligent connectivity
- Predictive maintenance

Pump characteristic



Performance data with water or Tool-Therm SH3

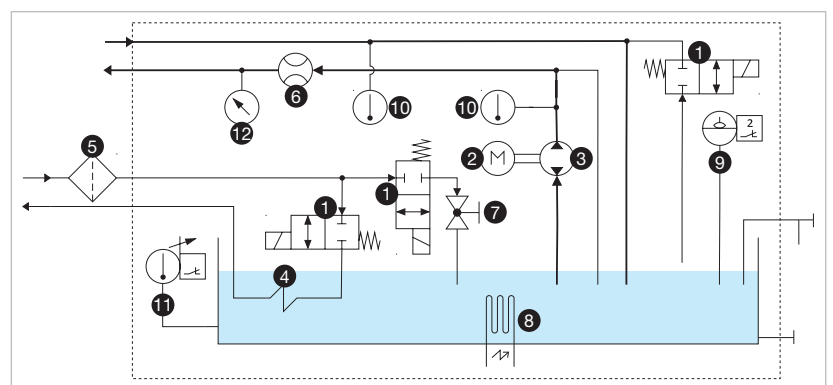
Cooling capacity



Performance data min. at 16 l/min @ 1.5 bar; max. at 38 l/min @ 8 bar cooling water

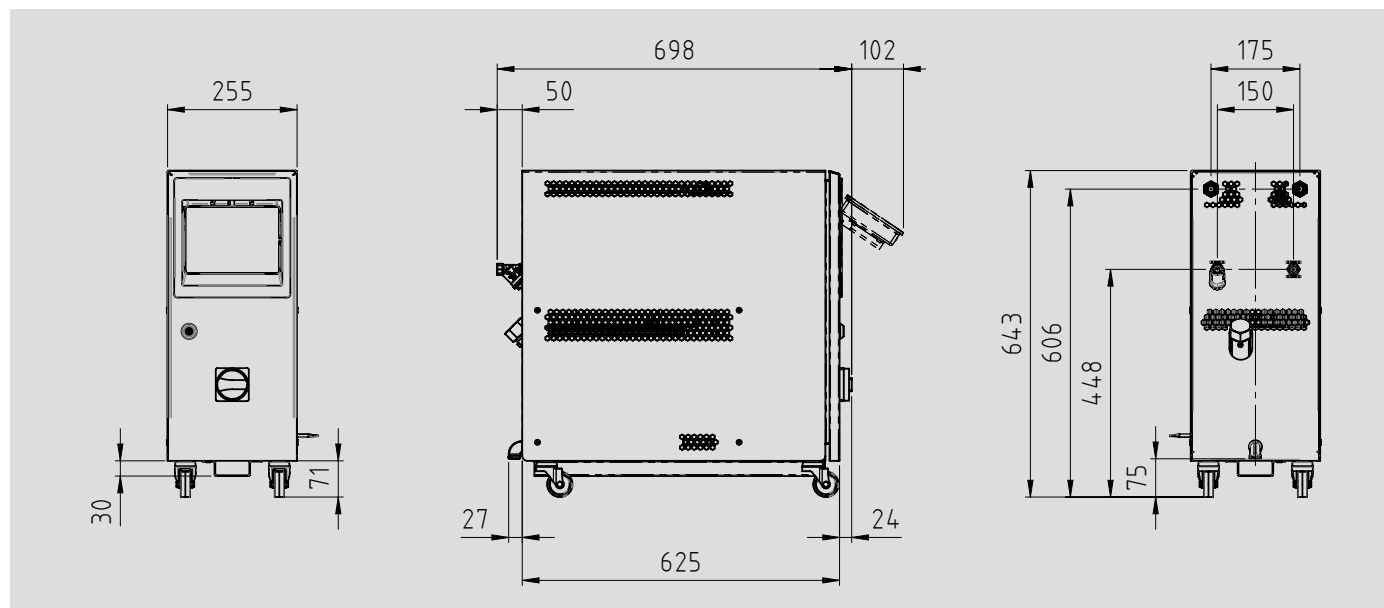


Fluidic diagram



1 2-2 way valve (normally closed), 2 pump motor, 3 pump with reversible pumping direction, 4 Cooling coil, 5 Filter, 6 Flow sensor, 7 Ball valve, 8 Heating element, 9 Level sensor, 10 Temperature sensor, 11 Safety temperature limiter, 12 Pressure sensor

Technical specifications



	Water	Oil
Maximum temperature	90 °C	150 °C
Heating capacity	9 kW	9 kW
Cooling capacity	See diagram	
Filling volume (heat-transfer fluid)	Minimum 5 liters, maximum 7 liters	
Pump	Type E	
Pressure and flow rate	See diagram	
Motor rated power	0,75 kW	
Control system	IRIS	
Temperature measurement	3-wire Pt100 (F0.15 acc. IEC 60751), feed and return	
Pump-pressure measurement	Piezoresistive pressure transmitter	
Flow measurement (heat-transfer fluid)	Paddle-wheel sensor with inductive pickup	
Languages	DE, EN, ES, FR, IT, NL (expandable)	
Interfaces	Module IO1: RS232, RS485, CL 20 mA, CAN	(Accessories)
OPC-UA (Standard)	Module IO2: Profibus, Profinet, EtherNet/IP	(Accessories)
	Module IO3: 0-10 V, 0/4-20 mA, external measurement	(Accessories)
Connections		
Heat-transfer fluid (feed and return)	½" BS female thread	
Cooling water inlet	¾" BS female thread, with water filter	
Cooling water outlet	¾" BS external thread	
Empty weight	55 kg	
Colour	RAL 7035 light gray	
Environment		
Temperature range	5-40 °C	
Relative humidity	40-80 % RH (non-condensing, no icing)	
Installation	Inside, keep at least a distance of 10 cm around the ventilation openings	
Continuous noise level	< 70 dB (A)	
Power supply	380-480 V, 50/60 Hz or alternatively 200-240 V, 50/60 Hz	
	Pump type E	
Connected load	10,1 kW	
Conductor cross-section of connection cable		
200-240 V	10 mm ²	
380-480 V	4 mm ²	
Ingress protection code	IP44, IP54 optional	
Marking	CE, UL-ready	